

4

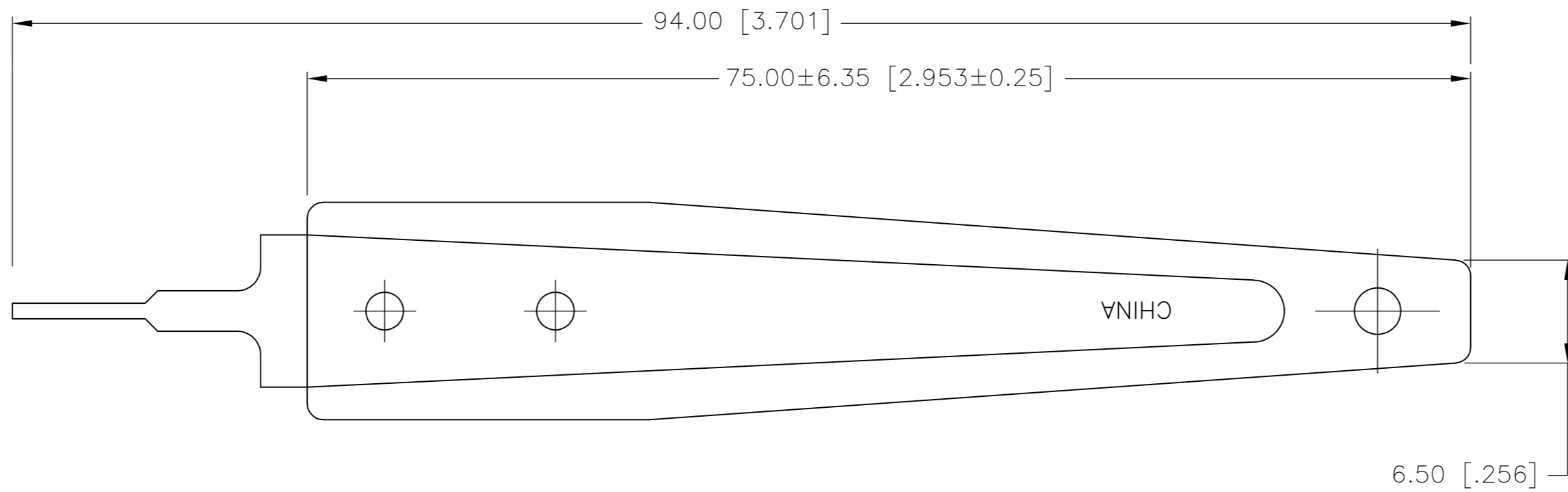
3

2

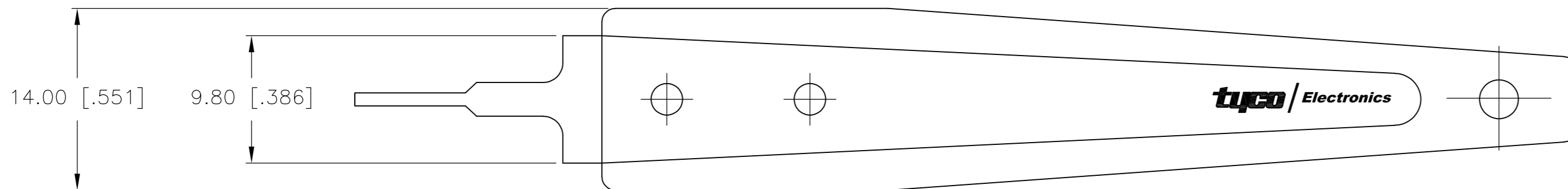
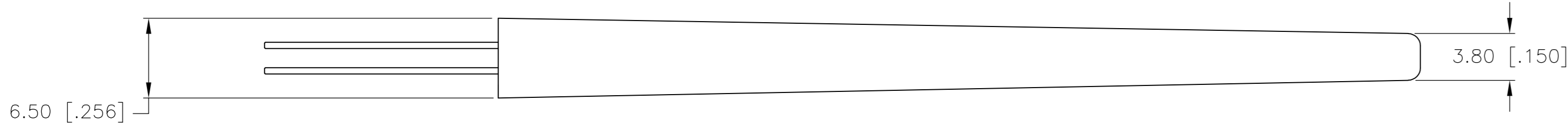
1

THIS DRAWING IS UNPUBLISHED. RELEASED FOR PUBLICATION
 © COPYRIGHT BY TYCO ELECTRONICS CORPORATION. ALL RIGHTS RESERVED.

LOC	DIST	REVISIONS			
P	LTR	DESCRIPTION	DATE	DWN	APVD
CM	00	A	REVISED PER ECO-08-006888	24MAR08	HMR CC



1 MATERIAL:
 HANDLE: NYLON, UL94V-0, BLACK.
 TINES: STAINLESS STEEL.



1586343-1
 PART NUMBER

METRIC

THIS DRAWING IS A CONTROLLED DOCUMENT.		DWN	S. HOOVER	20-APR-2004	Tyco Electronics Corporation Harrisburg, PA 17105-3608
DIMENSIONS: mm [INCHES]		CHK	D. COLEY	20-APR-2004	
TOLERANCES UNLESS OTHERWISE SPECIFIED:		APVD	D. COLEY	20-APR-2004	
0 PLC ± 1 PLC ± 2 PLC ± 0.13 [.005] 3 PLC ± 4 PLC ± ANGLES ± FINISH		PRODUCT SPEC	NAME		
MATERIAL		APPLICATION SPEC	EXTRACTION TOOL VAL-U-LOK(TM)		RESTRICTED TO
		WEIGHT	SIZE	A2	CAGE CODE
		CUSTOMER DRAWING	00779	DRAWING NO	1586343
		SCALE	4:1	SHEET	1 of 1
		REV	A		

1586343